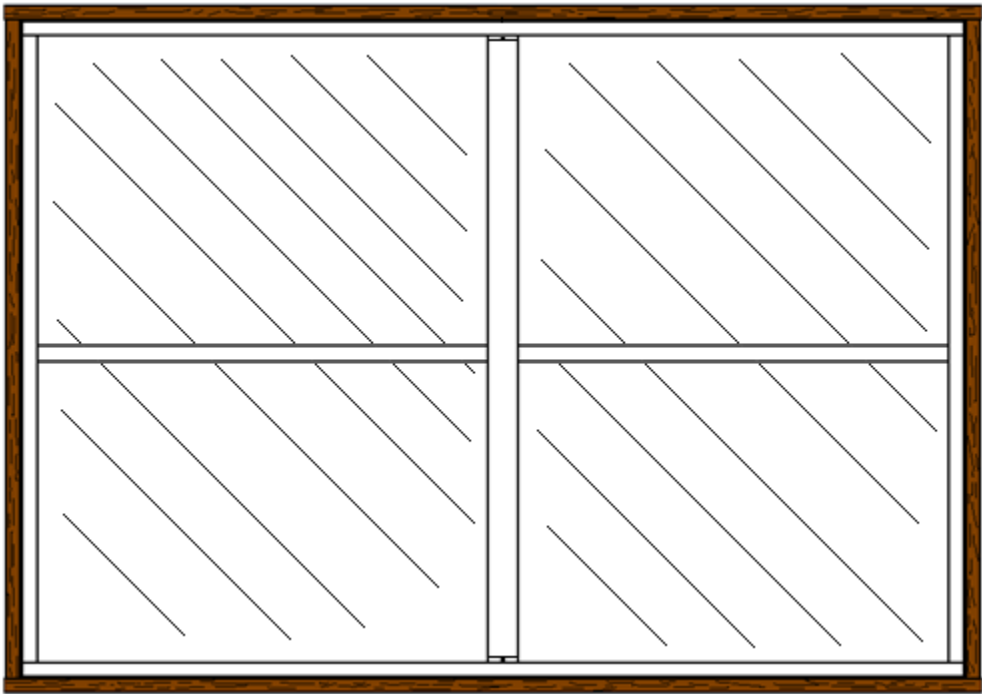




**GSP REMOVABLE PANEL INSTALLATION GUIDE**

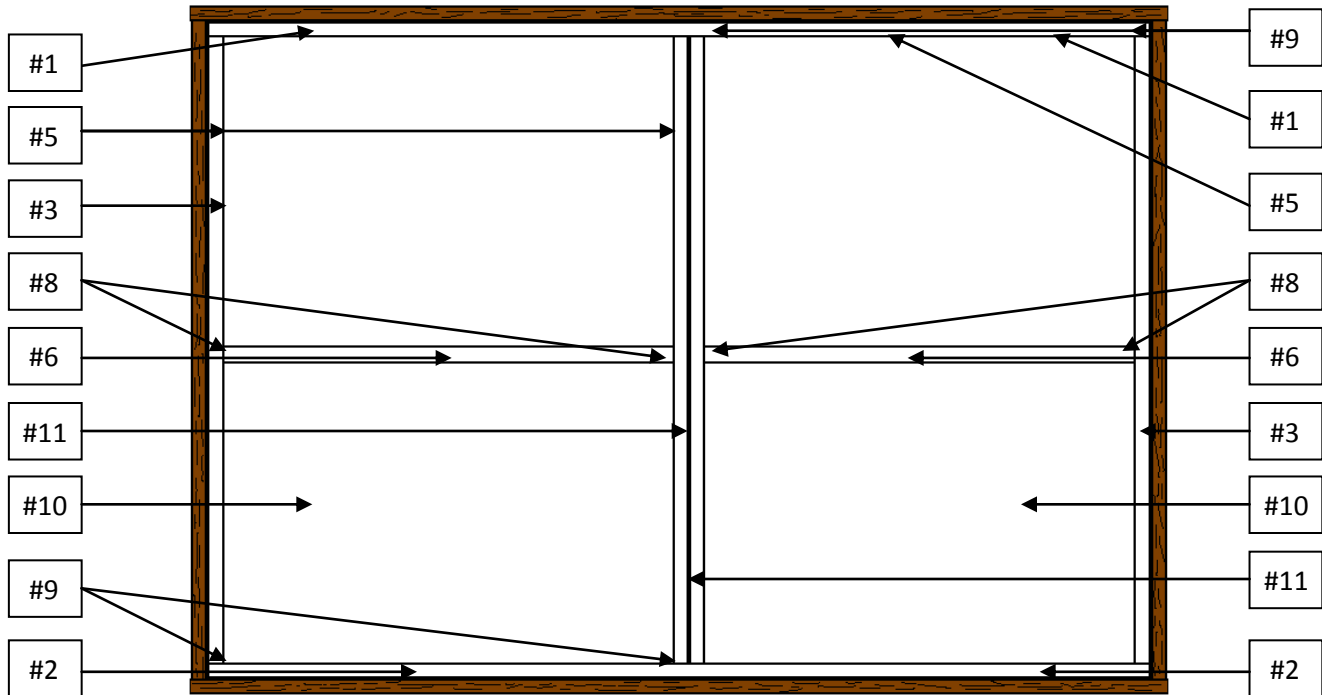


4495 Winfred Drive NE  
Atlanta, GA 30307  
(770) 928-0851


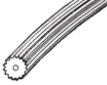







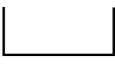


**VISIT US ON THE WEB AT [WWW.GEORGIASCREEN.COM](http://WWW.GEORGIASCREEN.COM)**

## GSP Removable Panel Installation Guide

*Note: The GSP Removable Panel is made for existing open spaces on a patio or deck. The channels of the enclosure mount directly to the perimeter of the existing opening as shown below. The GSP Removable Panel is not structural and is not to be used as a support of any kind.*



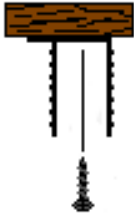
### Components List:

<u>NO.</u>	<u>PROFILE</u>	<u>PART #</u>	<u>DESCRIPTION</u>	<u>NO.</u>	<u>PROFILE</u>	<u>PART #</u>	<u>DESCRIPTION</u>
#1		*H105	2" F-Channel	#7		(various)	Spline
#2		*H101	1" F-Channel	#8		*H455	Center Bar Clip
#3		*E680	Side Angle	#9		*H401	Corners
#4		*F409	#10 x 1" Screw	#10		(various) -or- *G854	Insect Mesh -or- Winterizing Vinyl
#5		*H104	Screen Frame	#11		*H507 (special order)	Channel (Optional)
#6		*H104	Center Bar	#12		*H410	#8 x 1/2" Screw

## GSP Removable Panel Channel Perimeter Installation

*Note: Before installation make sure all openings are as square as possible. When installing the perimeter channels and angle, make sure all flanges are facing towards the inside of the enclosure.*

### STEP #1 – INSTALLING THE 2" F-CHANNEL



The larger H105 F-Channel (#1) is to be installed at the top of each opening. The channel is to run the full width of the upper opening.

Use the F409 Screw (#4) to screw the H105 F-Channel (#1) directly to the top perimeter of the opening. The standard recommendation is to install one screw per every 16".

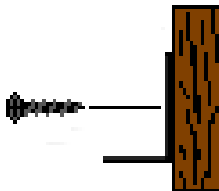
### STEP #2 – INSTALLING THE 1" F-CHANNEL



The smaller H101 F-Channel (#2) is to be installed at the bottom of each opening. The channel is to run the full width of the lower opening.

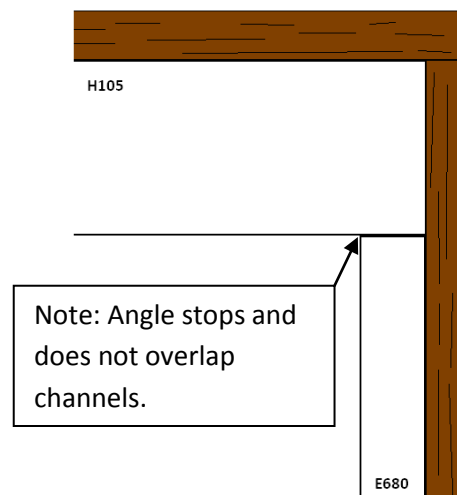
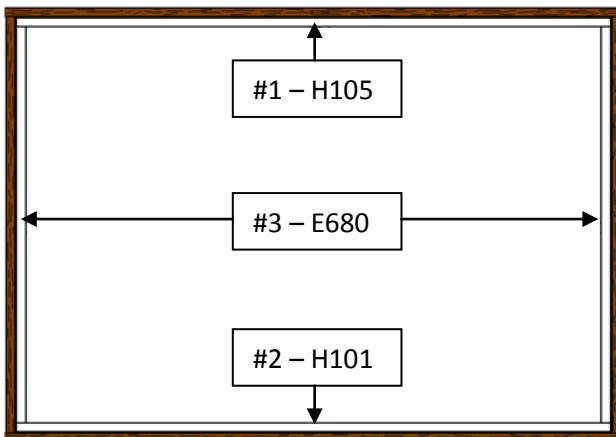
Use the F409 Screw (#4) to screw the channel directly to the bottom perimeter of the opening. The standard recommendation is to install one screw per every 16".

### STEP #3 – INSTALLING THE SIDE ANGLE



The E680 Angle (#3) is to be installed on the vertical sides of the opening. The angle length will be **3" shorter** than the height of the opening. Note: Opposite sides of the opening may not be the same. Always measure the distance between channels for accurate lengths.

Use the F409 Screw (#4) to screw the larger side of the channel (1 ¼") directly to the vertical perimeter sides of the opening. The standard recommendation is to install one screw per every 16". Note: Counter sink screws to make them flush with the angle.

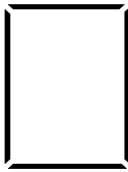


## GSP Removable Panel Assembly

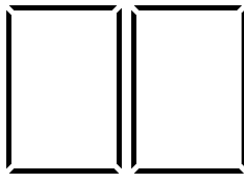
**SAVE TIME AND MONEY BY BUYING PRE-ASSEMBLED PANELS FROM GEORGIA SCREEN!**

Note: Do not assemble screen panel components until Step #6

### STEP #4 – CUTTING THE H104 SCREEN FRAME



SINGLE PANEL



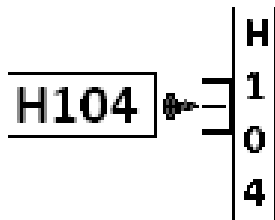
MULTIPLE PANELS

The H104 Frame (#5) will be used to build each screen panel. Once you have the perimeter of your system, measure the opening to get four accurate measurements. You may have more than one screen panel per opening. Vertical Sides – Subtract a minimum of  $1\frac{1}{8}$ " from the measurements and cut at 45 degrees.

Horizontal Sides – Subtract a minimum of  $\frac{1}{4}$ " from the measurements and cut at 45 degrees.

When installing multiple screen panels in one opening you will only need to subtract  $\frac{1}{4}$ " from the entire horizontal distance of the opening. You may then divide the distance by the number of screen panels in the opening to get your measurement for each panel.

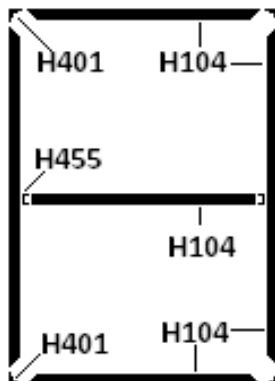
### STEP #5 – INSTALLING THE H455 CENTER BAR CLIPS



The H104 Center Bar (#6) is installed between the two vertical H104 frames on each screen panel. The length of the center bar will be 2" less than the outer width of the panel. Make a square cut on both ends of the H104.

Install the H455 Clips (#8). Measure half the distance of each vertical H104 frame. You will then use the H410 Screw (#12) to screw the clips evenly on each vertical piece.

### STEP #6 – ASSEMBLING THE SCREEN PANEL FRAMES



Note: Before assembling the panel frames, make sure that all spline grooves are aligned and facing the outside of the screen.

Insert the H401 Corners (#9) in the top and bottom of each vertical H104 Frame with the previously installed H455 Clips (#8).

Slide the two horizontal H104 Frames over the corners of the right vertical side. Next slide the H104 Center Bar over the H455 Clip on that frame. Make sure that the spline groove is facing the outside of the screen.

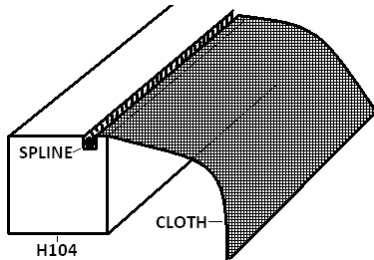
Align the corners and clip of the left vertical frame with the horizontal frames of the panel and slide them together.

## GSP Removable Panel Assembly

**SAVE TIME AND MONEY BY BUYING PRE-ASSEMBLED PANELS FROM GEORGIA SCREEN!**

### STEP #7 – ROLLING SCREEN/VINYL INTO FRAME

You will use the C334 Spline (#7) to hold the Insect Mesh or Clear Vinyl (#10) in the panels.

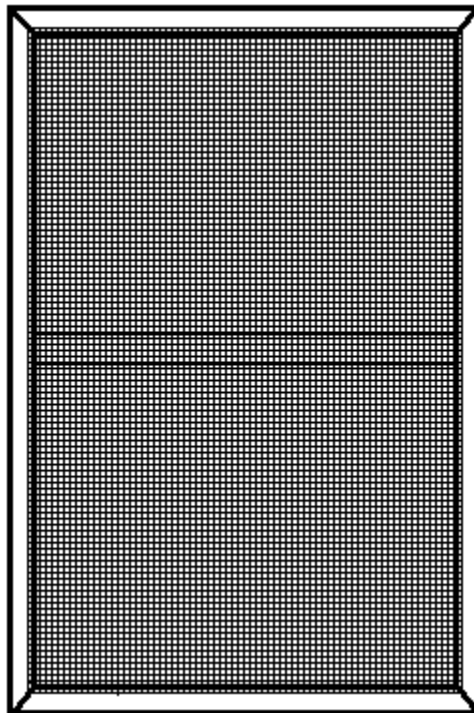


Lay the Mesh or Vinyl over the assembled panel. Use a Spline Roller to roll the spline into the spline grooves of all the H104 frames including the center bar.

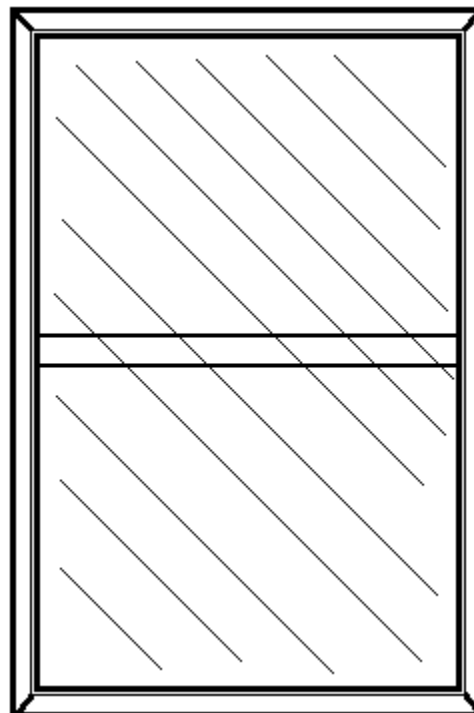
Note: When rolling the Vinyl, it is recommended that you use dish soap and water to prevent rippling in the cloth caused by the vinyl sticking to the spline.

Once you have rolled the spline into the entire perimeter of the panel, cut away the excess cloth on the outer edges of the spline groove.

**Your Screen Panels Should Now Look Similar To The Pictures Below!**



**Insect Mesh**



**Winterizing Vinyl**

## GSP Removable Panel Installation

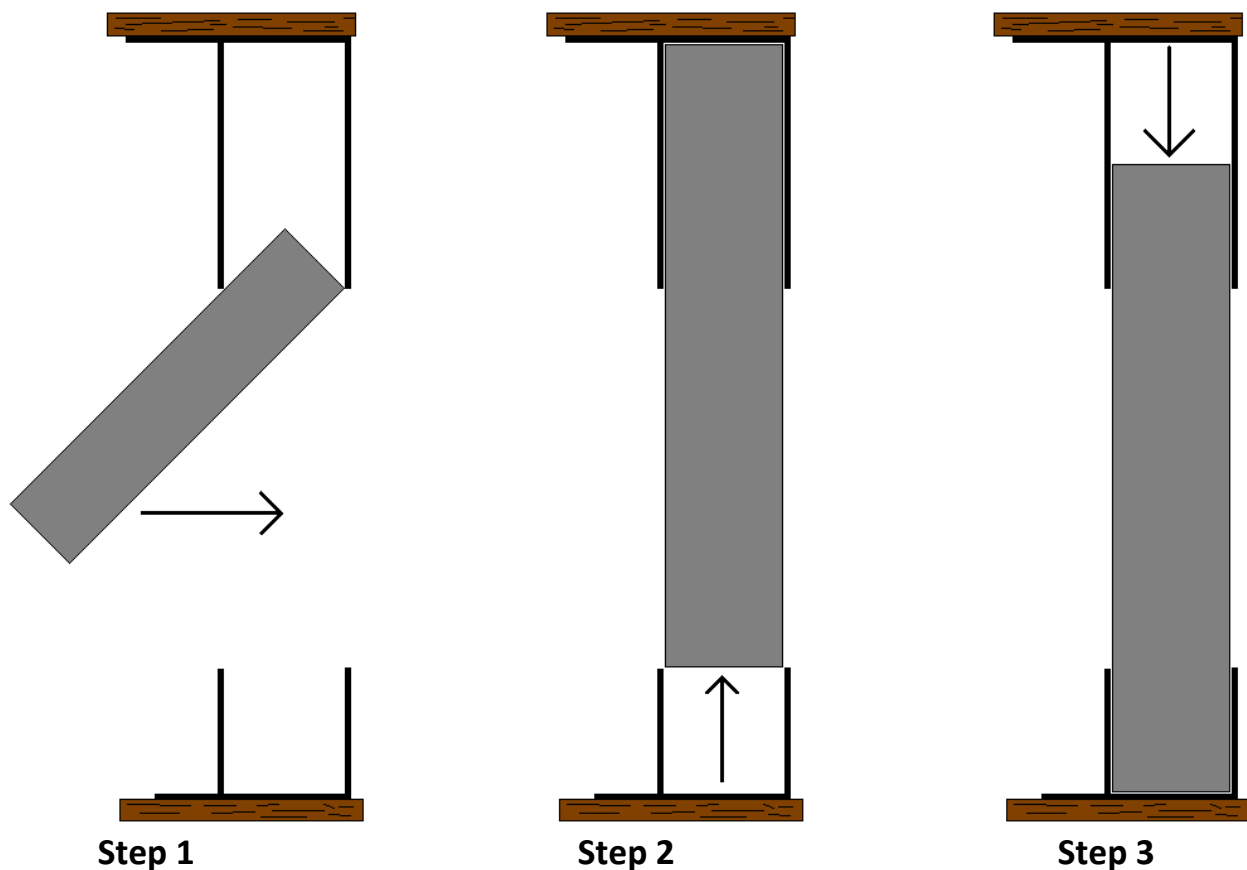
### STEP #8 – INSTALLING THE SCREEN PANELS

Pick up the first panel using the center bar to hold it. Tilt the top of the panel away from you as you begin to install the panel.

Slide the panel into the H105 F-Channel (#1) at the top of the opening. Make sure the panel slides completely into the top of the channel.

Make sure the panel is flush with the angles on the side of the opening. Then lower the panel into the smaller H104 F-Channel (#2) at the bottom of the opening.

Note: If using multiple panels per opening, simply repeat previous steps until all panels are installed.

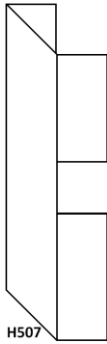


## GSP Removable Panel Multiple Panel Assembly

**SAVE TIME AND MONEY BY BUYING PRE-ASSEMBLED PANELS FROM GEORGIA SCREEN!**

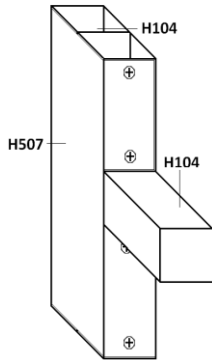
If installing multiple panels in one opening, you must fasten the panels together. We recommend two different options for attaching two panels.

### OPTION #1 - NOTCHING AND INSTALLING THE H507 CHANNEL



The H507 Channel (#11) will completely cover all gaps between two panels. This will give the system a clean and finished look. It will also provide extra support for the panels.

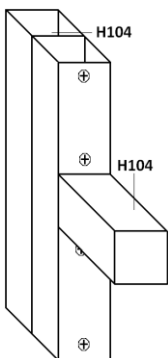
You must first notch the H507 Channel (#11) to allow it to slide around the H105 Center Bar (#6). Measure the inside height of each panel and mark where the Center Bar falls. Cut a 1 1/8" notch out of each side of the channel.



The channel should now be notched and should easily slide over the frames and around the center bar. Slide the H507 Channel (#11) over the adjoining sides of two panels.

Use the H410 Screw (#12) to screw the legs of the channel to the frames. The screws will go on the inside of the panels. It is recommended that you use one screw per every two feet.

### OPTION #2 – USE THE P402A0000 SCREW TO ATTACH PANELS



Options #2 consist of using a screw to attach two adjoining panels. Once all of the panels have been installed in the opening, Use the P402A0000 Screw to attach the panels.

Screw the P402A0000 Screw directly from the inner side of the panel into the adjoining panels. It is recommended that you use one screw per every two feet.